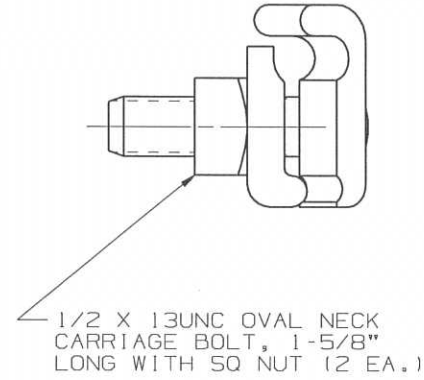
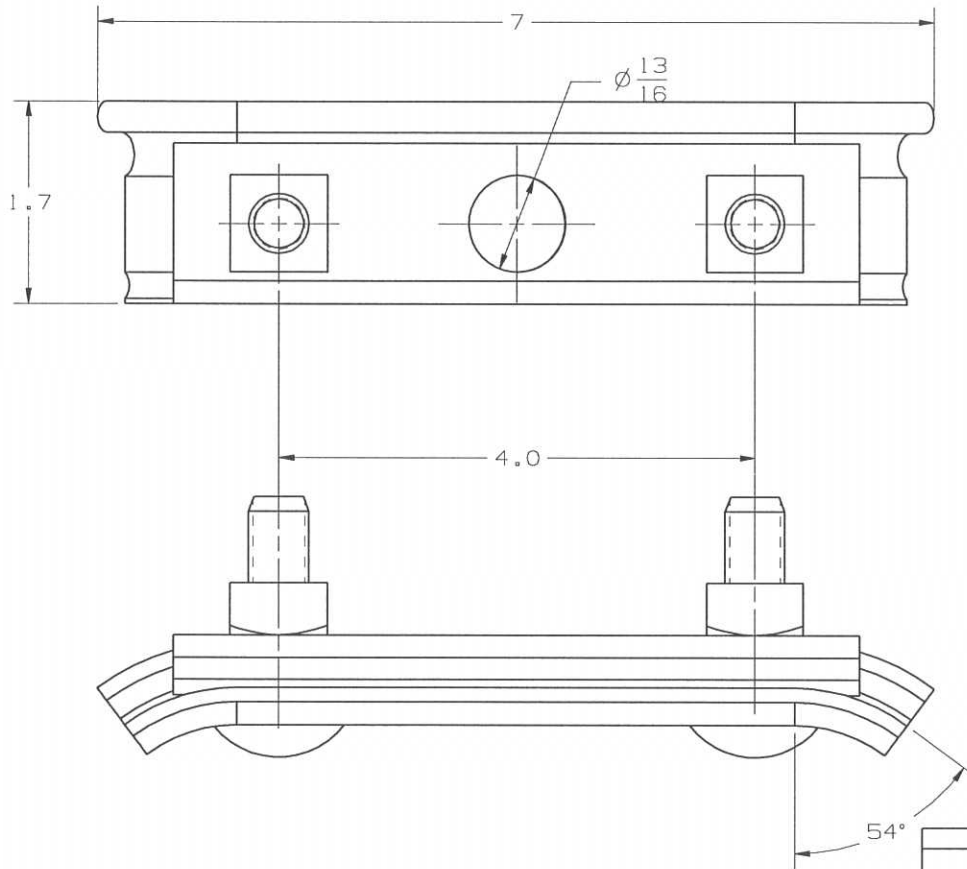


-NOTES-

1. MAT'L: STEEL
2. FINISH: HOT DIP GALVANIZE



LATEST EC NO:		REV.	DATE	CHANGED BY	RESP ENGINEER
---		A	12/02/11	WILSON	WILSON
				DO NOT SCALE THIS DWG	THIRD ANGLE PROJECTION
				ISO DUAL DIMENSIONS IN=INCH, MM=MILLIMETER	
DRN BY:	DATE	TITLE:			SIZE
WILSON	12/02/11	CORNER CABLE SUSPENSION CLAMP			B



CHANCE



DWG NO:
SA7902R

CONFIDENTIAL: THIS DRAWING AND ITS CONTENTS ARE CONFIDENTIAL AND THE EXCLUSIVE PROPERTY OF HUBBELL / A.B. CHANCE COMPANY. NO PUBLICATION, DISTRIBUTION OR COPIES MAY BE MADE WITHOUT WRITTEN CONSENT BY HUBBELL / A.B. CHANCE COMPANY. © 2001 HUBBELL/A.B. CHANCE. UNPUBLISHED - ALL RIGHTS RESERVED UNDER THE COPYRIGHT LAWS